

DIPLEXERS FOR MULTIMEDIA OVER COAX DEVICES

MOCA®

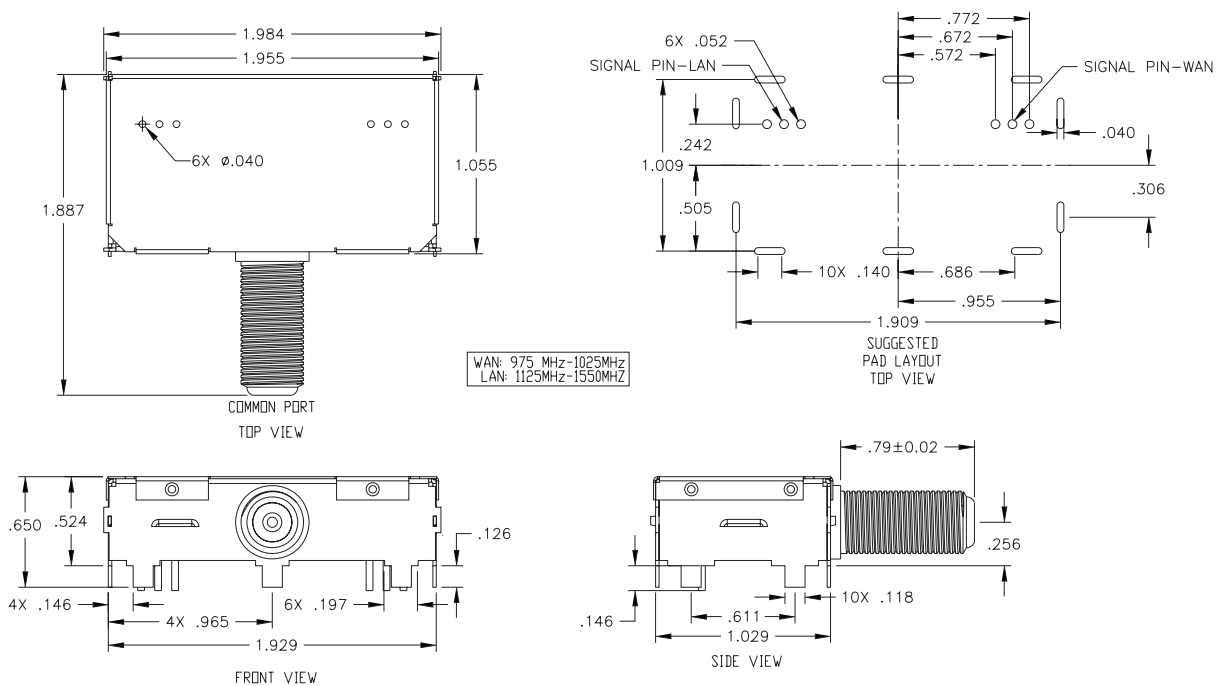


- ✔ Supports Multimedia over Coax Alliance (MoCA®) applications, including set-top boxes, gateway devices and wireless interfaces
- ✔ Allows video, broadband, cable and satellite services to coexist on coax
- ✔ Supports TelcoTV and IPTV applications
- ✔ Frequency compliant to Entropic c-LINK™ dual-channel chipset
- ✔ Pulse is a member of the MoCA® Alliance
- ✔ Patent pending

Electrical Specifications @ 25°C

Part Number	Low Pass Filter WAN (MHz)	High Pass Filter LAN (MHz)	Impedance (Ω)
C6058	975-1025	1125-1525	75

Mechanical



Weight20 grams
Tray45/tray

Dimensions: $\frac{\text{Inches}}{\text{mm}}$
Unless otherwise specified, all tolerances are $\pm \frac{.010}{0,25}$

For More Information:

Pulse Worldwide Headquarters

12220 World Trade Dr.
San Diego, CA 92128
U.S.A.

www.pulseeng.com

TEL: 858 674 8100

FAX: 858 674 8262

Pulse Europe

Einsteinstrasse 1
D-71083 Herrenberg
Germany

Tel: 49 7032 7806 116

Fax: 49 7032 7806 135

Pulse China Headquarters

No. 1
Industrial District
Changan, Dongguan
China

Tel: 86 769 85538070

Fax: 86 769 85538870

Pulse North China

Room 1503
XinYin Building
No. 888 YiShan Rd.
Shanghai 200233
China

Tel: 86 21 54643211/2

Fax: 86 21 54643210

Pulse South Asia

150 Kampong Ampat
#07-01/02
KA Centre
Singapore 368324

Tel: 65 6287 8998

Fax: 65 6280 0080

Pulse North Asia

No. 26
Kao Ching Rd.
Yang Mei Chen
Taoyuan Hsien
Taiwan, R. O. C.

Tel: 886 3 4641811

Fax: 886 3 4641911

Performance warranty of products offered on this data sheet is limited to the parameters specified. Data is subject to change without notice. Other brand and product names mentioned herein may be trademarks or registered trademarks of their respective owners.

© Copyright, 2006. Pulse Engineering, Inc. All rights reserved.

www.pulseeng.com

C252.A (10/06)