

DIPLEXERS FOR MULTIMEDIA OVER COAX DEVICES

MOCA®

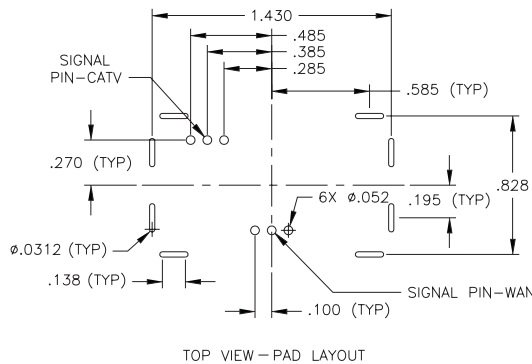
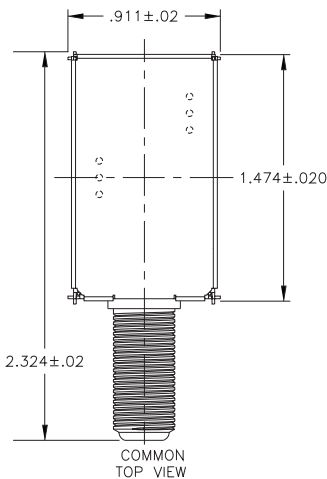


- Supports Multimedia over Coax Alliance (MoCA®) applications, including set-top boxes, gateway devices, optical network terminations and wireless interfaces
- Allows video, broadband, cable and satellite services to coexist on coax
- Supports TelcoTV and IPTV applications
- Frequency compliant to Entropic c-LINK™ Home Network chipset
- Pulse is a member of the MoCA® Alliance

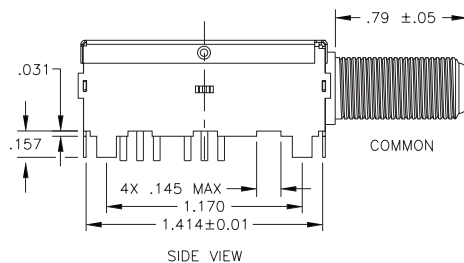
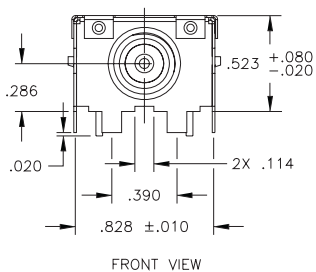
Electrical Specifications @ 25°C

Part Number	Low Pass Filter Passband (MHz)	High Pass Filter Passband (MHz)	Impedance (Ω)
CX6077	5-860	975-1025	75

Mechanical



Weight20 grams
Tray45/tray
Dimensions: $\frac{\text{Inches}}{\text{mm}}$
 Unless otherwise specified, all tolerances are $\pm \frac{.010}{0,25}$



Schematic



For More Information:

Pulse Worldwide Headquarters

12220 World Trade Dr.
 San Diego, CA 92128
 U.S.A.
www.pulseeng.com
 TEL: 858 674 8100
 FAX: 858 674 8262

Pulse Europe

Einsteinstrasse 1
 D-71083 Herrenberg
 Germany
 Tel: 49 7032 7806 116
 Fax: 49 7032 7806 135

Pulse China Headquarters

No. 1
 Industrial District
 Changan, Dongguan
 China
 Tel: 86 769 85538070
 Fax: 86 769 85538870

Pulse North China

Room 1503
 XinYin Building
 No. 888 YiShan Rd.
 Shanghai 200233
 China
 Tel: 86 21 54643211/2
 Fax: 86 21 54643210

Pulse South Asia

150 Kampong Ampat
 #07-01/02
 KA Centre
 Singapore 368324
 Tel: 65 6287 8998
 Fax: 65 6280 0080

Pulse North Asia

No. 26
 Kao Ching Rd.
 Yang Mei Chen
 Taoyuan Hsien
 Taiwan, R. O. C.
 Tel: 886 3 4641811
 Fax: 886 3 4641911

Performance warranty of products offered on this data sheet is limited to the parameters specified. Data is subject to change without notice. Other brand and product names mentioned herein may be trademarks or registered trademarks of their respective owners.

© Copyright, 2006. Pulse Engineering, Inc. All rights reserved.

www.pulseeng.com

C253.A (10/06)